

MACHINE TYPE: YV100-2, YV100X, YV100Xg, YG200 both of S&FNC  
 CLASSIFICATION: Maintenance, Tips  
 REFERENCE: Maintenance Guide for YV100X, Maintenance Parts List

No: SI1208001E-000  
 ISSUED DATE: 24 August 2012

## Piston & Plug Compatibility and Parts number


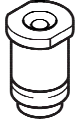

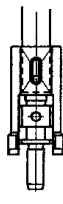

These are one of periodically replacement consumable parts that are not listed up in Maintenance parts List.



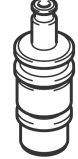

### Update history

Revision No.	Updated contents	Issued date
-000	(First release)	24 August 2012

### Warning

- This document's target person is the Users who have been trained for proper model maintenance.
- Please use this information in your own responsibility after having understood contents enough.

	YV100	YV100-2	YV100-2 (Old H1)
Plug1	 KM1-M7103-A0 KM1-M7103-00  Upper: Sub ASSY Lower: Individual	 KM8-M7103-A0 KM8-M7103-00	Same to left
Piston	 KM1-M7104-A0 KM1-M7104-00	Same to left	 KM8-M7104-A0 KM8-M7104-00  Note: The Nozzle Holders are different.
Plug2	 KM1-M7105-A0 KM1-M7105-00	Same to left	Same to left

	YV100X,Xg & YG200		
	H1,3,5,7	H2,4,6,8 (STD)	H2,4,6,8 (FNC)
Plug1	 KV8-M7103-B0 KV8-M7103-10	 KV8-M7103-C0 KV8-M7103-50	 KV8-M7103-A0 KV8-M7103-00
Piston	 KV8-M7104-A0 KV8-M7104-00	Same to left	Same to left
Plug2	Same to YV100-2	Same to left	Same to left